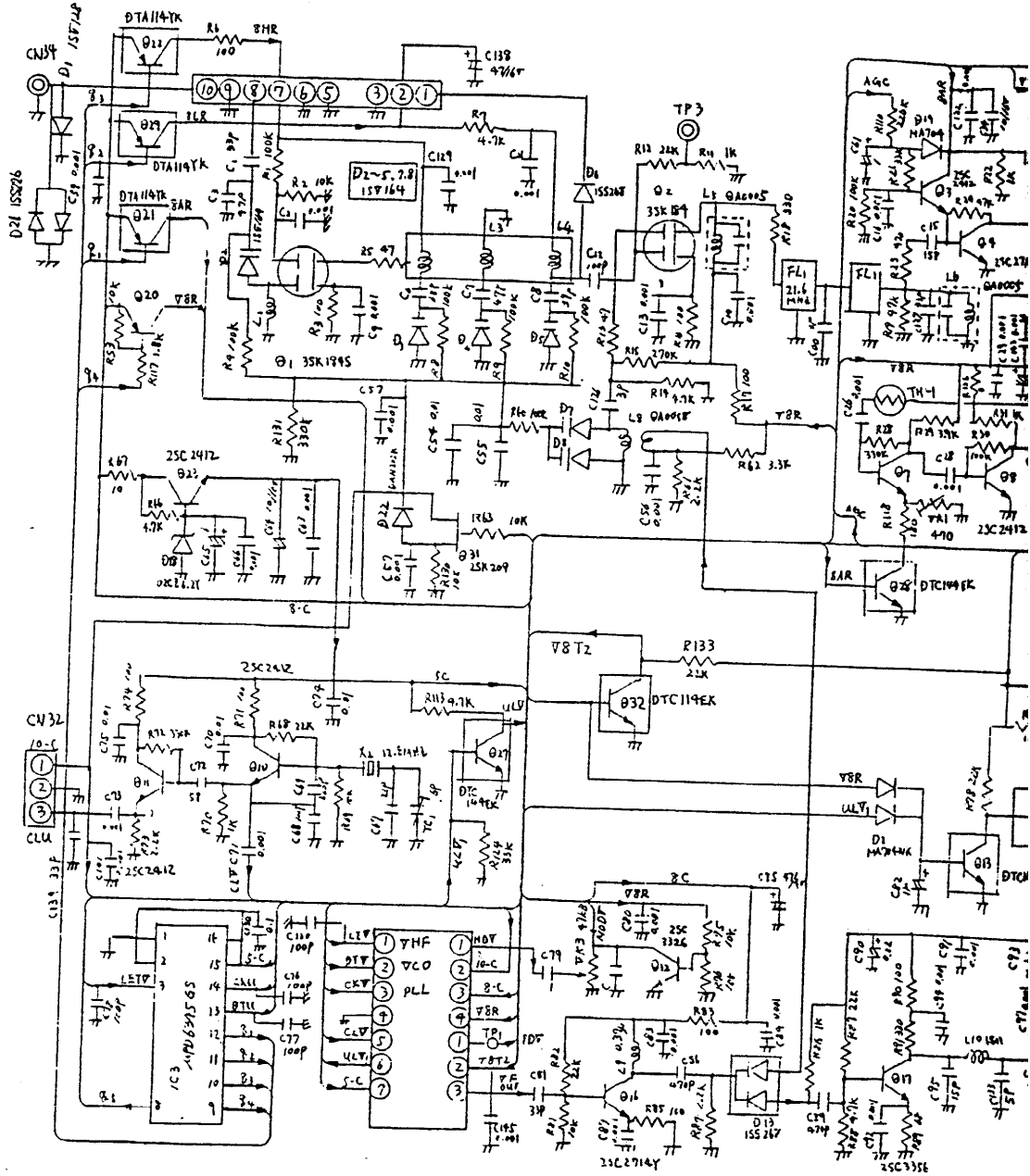
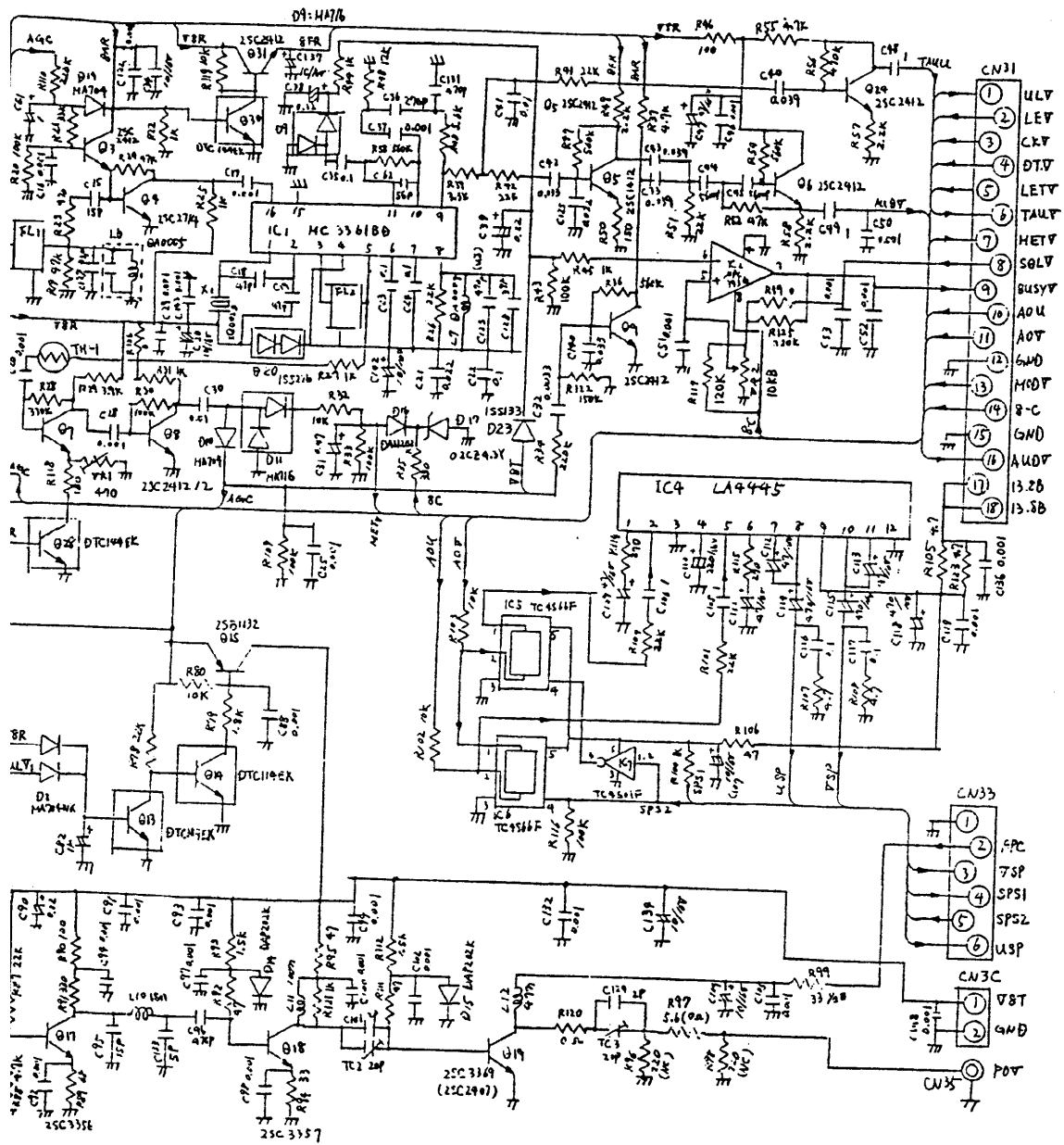


# SCHEMATIC DIAGRAM OF VHF MAIN UNIT

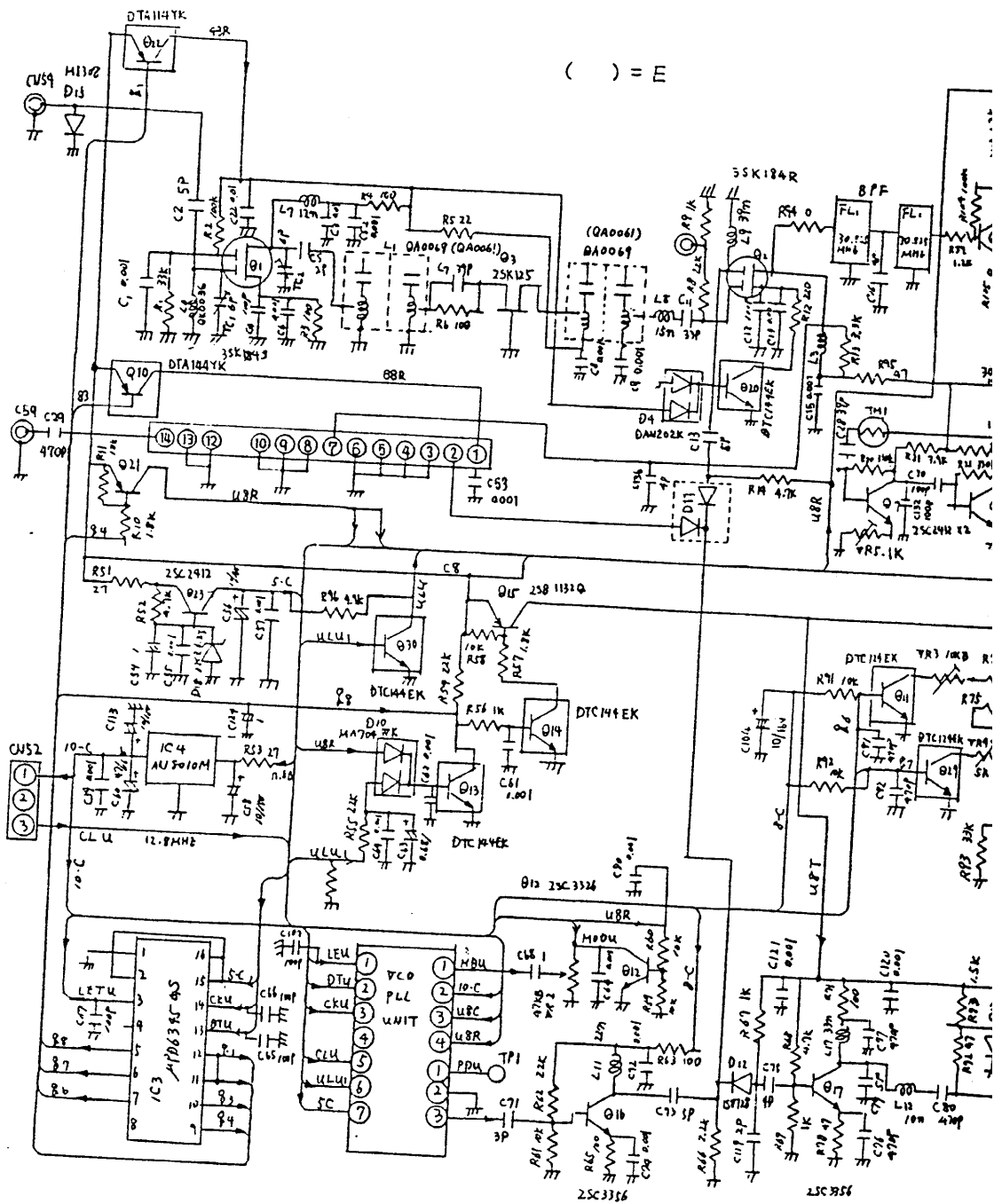


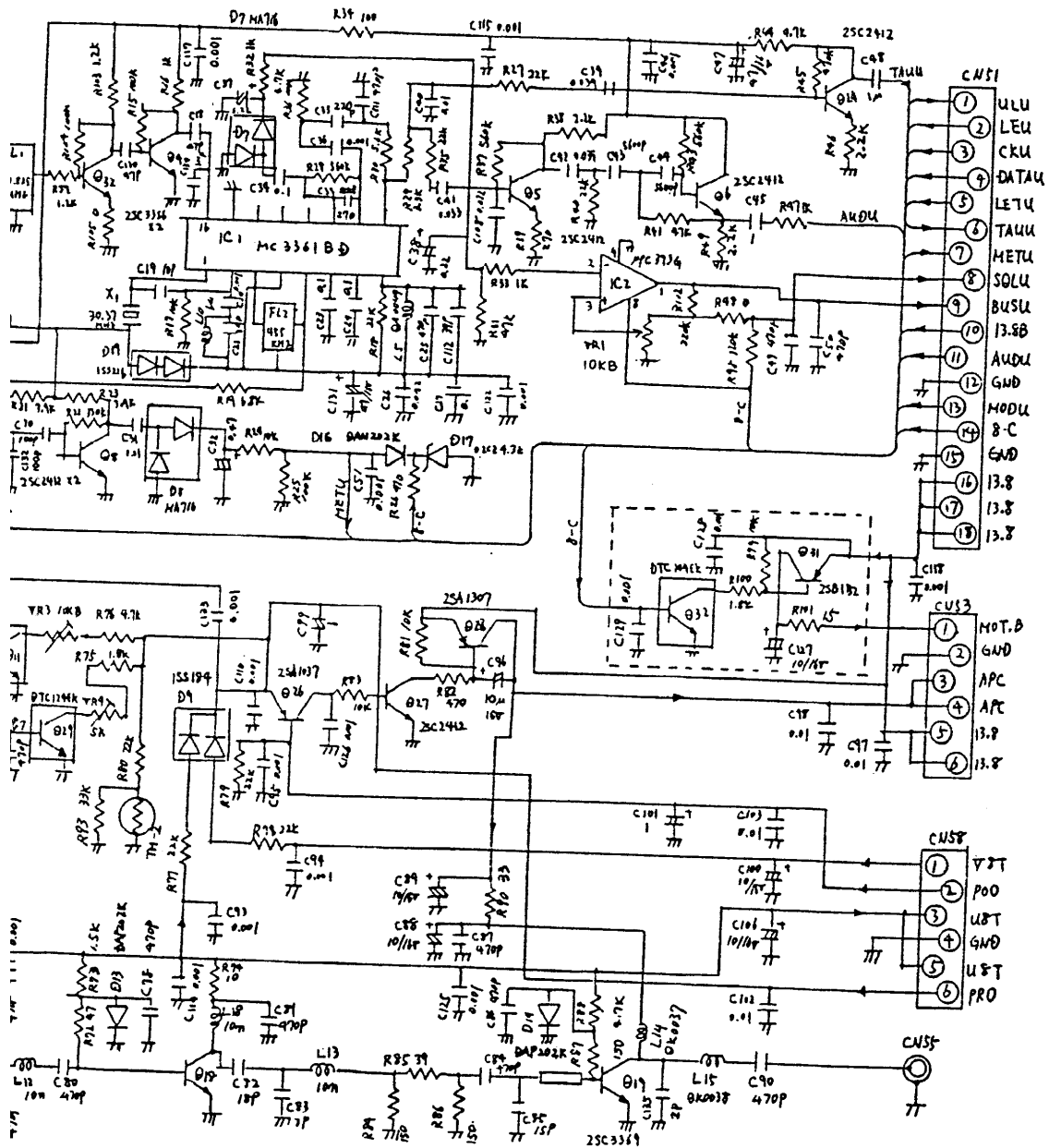
Scanned by IW1AXR

Downloaded by  
Amateur Radio Directory



# SCHEMATIC DIAGRAM OF UHF MAIN UNIT





25C3357